

GRAVELLY ILLUSTRATED PARTS LIST

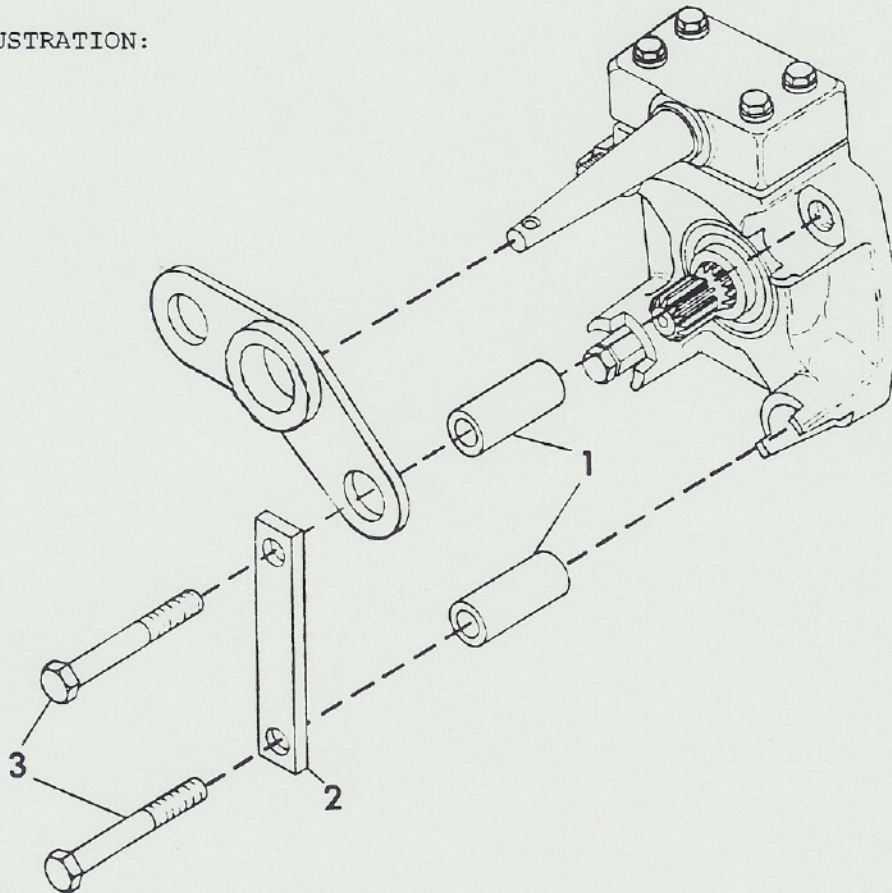
NAME: LOCKING STRAP KIT

PART NUMBER(S): 35052

INSTALLATION:

- 1) After flail mower or snowblower has been mounted on the tractor, remove the two left side quick hitch studs.
- 2) Mount two spacers and locking strap to the quick hitch adapter with two hex bolts. See Illustration.

ILLUSTRATION:



ITEM NO.	PART NO.	QUANTITY	DESCRIPTION
1	35054	2	Spacer
2	35053	1	Strap, Locking
3	433156	2	Bolt, Hex - 1/2 - 13 x 4-1/2

To continue its program of quality and design improvement, the manufacturer reserves the right to change specifications, designs and prices without notice and incurring obligation.

Form No. 35055 (7-82) Printed in U.S.A.